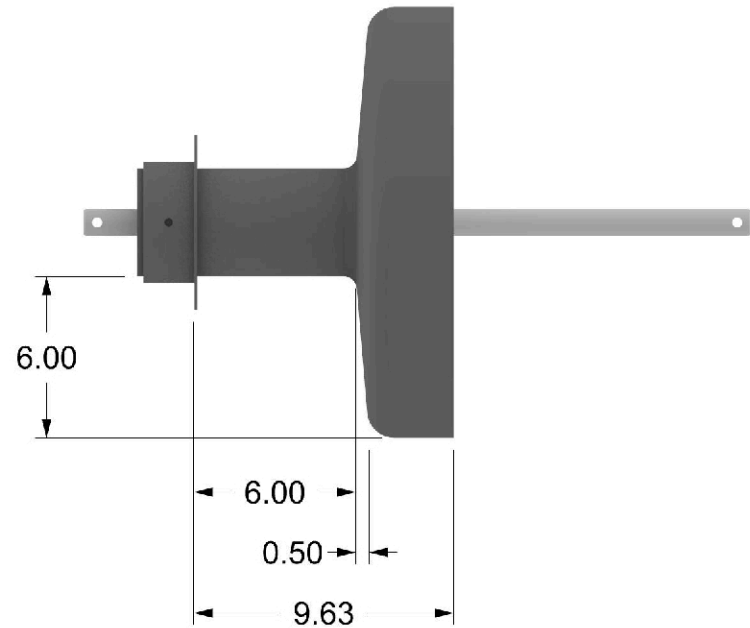


Curb Profile



This is the property of Curb Roller LLC. It contains proprietary information and is transmitted as a confidential disclosure. It may not be copied or its contents released to others without written consent of Curb Roller LLC.

<i>Curb Roller Mfg.</i>		
Intls Dsgnr KAP	Title: CM4600 Drum #026- General Dimension	
Date 10/13/2022	Dwg: 49225-026	
Intls Aprvd XXX	Date 10/13/2022	
<small>Unless Otherwise Noted: Dimensions are in Inches[mm]. .xx = ±0.125[3] Angular = ±2° Radius = ±0.25[8]</small>		
Third Angle Projection	Scale None	Rev NC 1 of 1
		Sheet A