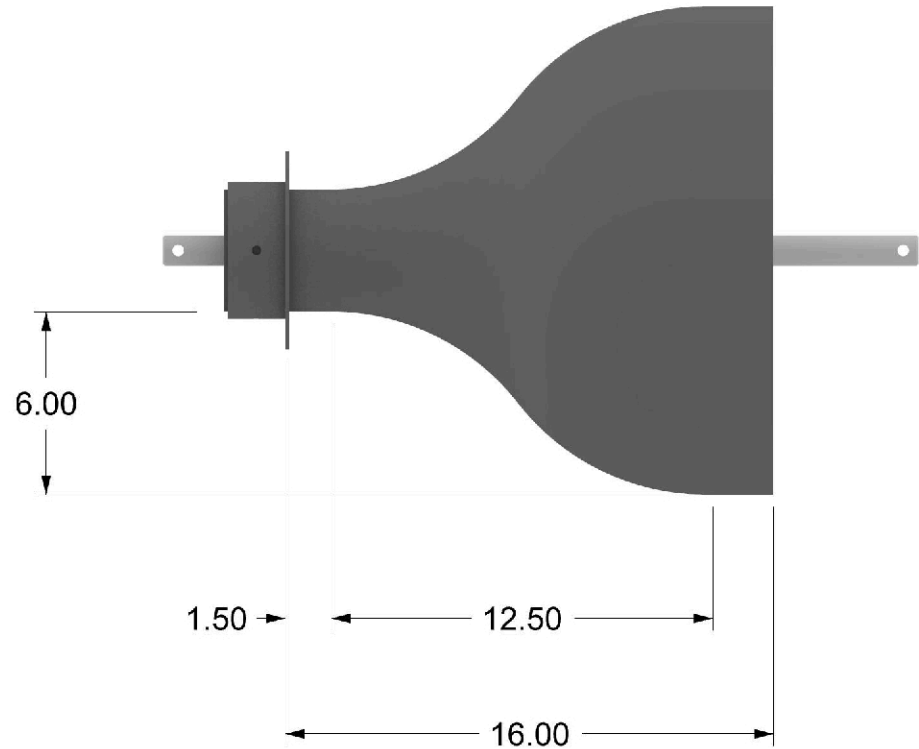



Curb Profile



<i>Curb Roller Mfg.</i> Dsgnr ^{Intls} XXX Date 10/13/2023		CM4600 Drum #015- General Dimensions				
				Aprvd ^{Intls} XXX Date 10/13/2023	49225-015	
Unless Otherwise Noted: Dimensions are in Inches[mm]. .xx = ±0.125[3] Angular = ±2° Radius = ±0.25[6]		Third Angle Projection	Scale None	Rev NC	Sheet 1 of 1	Size A

This is the property of Curb Roller LLC. It contains proprietary information and is transmitted as a confidential disclosure. It may not be copied or its contents released to others without written consent of Curb Roller LLC.